



*Worldwide Cabinet Systems, Inc.*

# 3 Drawer Base

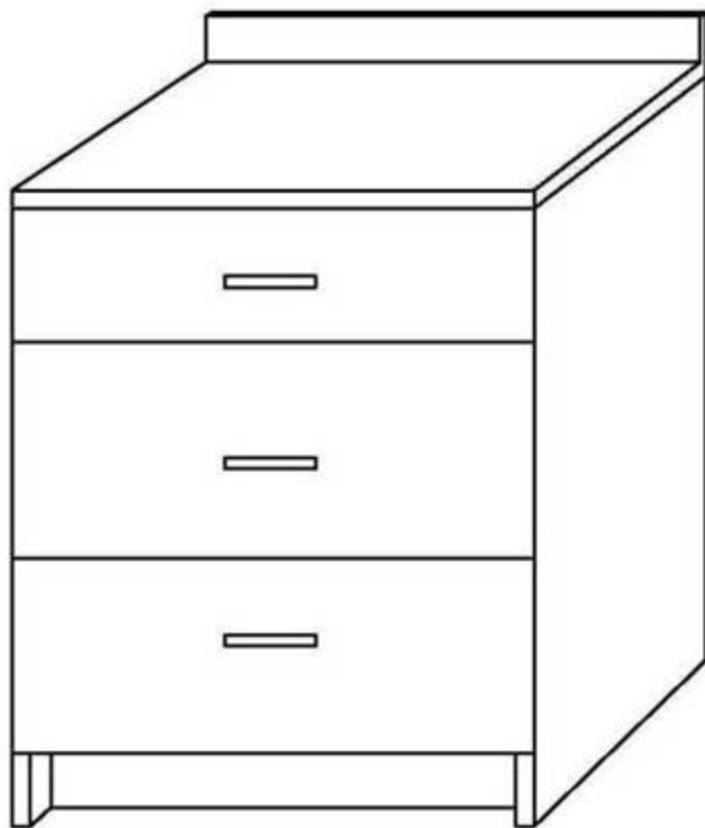
## Assembly Manual

*Franco Trace*  
DESIGN



# 3 Drawer Base

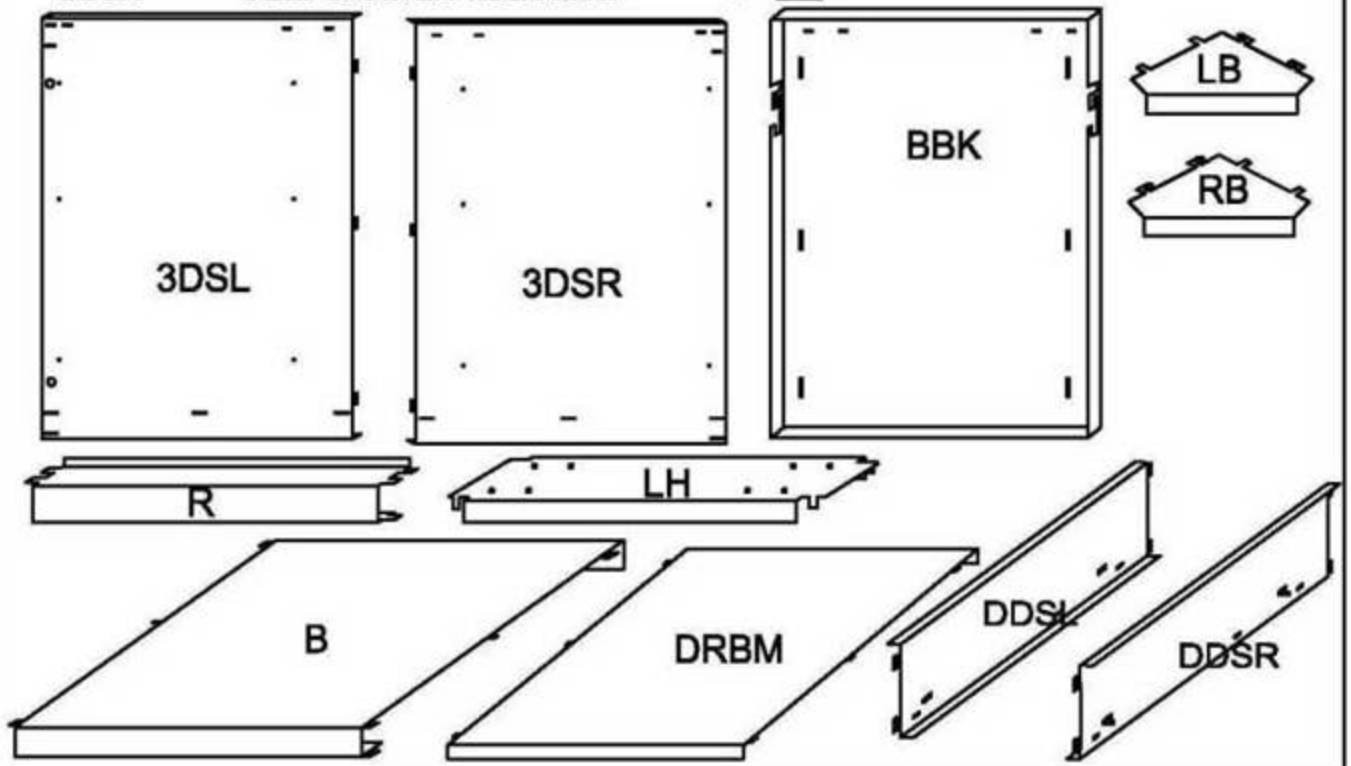
3 DRAWER BASE



**\*WARNING :** Objects may have sharp edges. We recommend to use leather gloves during assembly, installation and cleaning process.  
If you have any questions, please call us toll free at 1-866-581-4358.

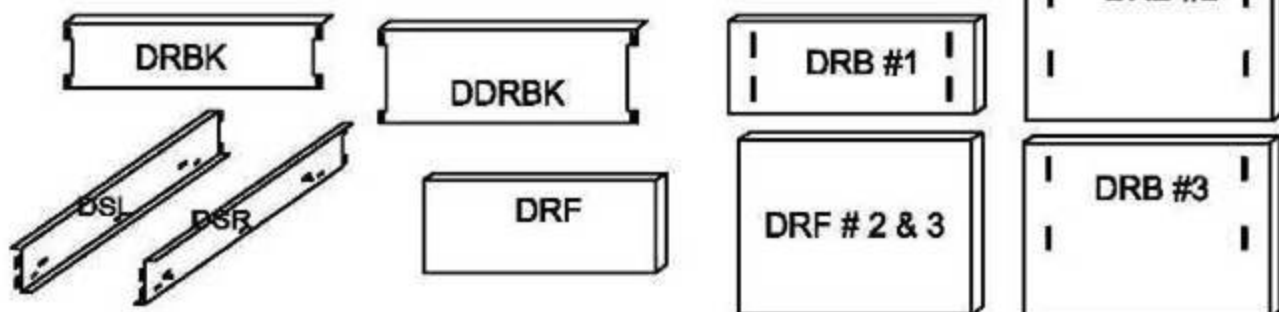
3 DRAWER BASE COMPONENTS

ITEM	DESCRIPTION	QTY
3DSL	3 DRAWER SIDE LEFT	1
3DSR	3 DRAWER SIDE RIGHT	1
B	BOTTOM	1
BBK	BASE BACK	1
R	RAIL	1
LH	LEG HOLDER	1
LB	LEFT BRACKET	1
RB	RIGHT BRACKET	1
DRBM	DRAWER BOTTOM	3
DDSL	DEEP DRAWER SIDE LEFT	2
DDSR	DEEP DRAWER SIDE RIGHT	2


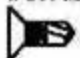

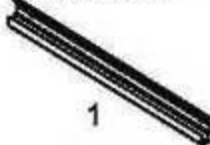








## 3 DRAWER BASE COMPONENTS


ITEM	DESCRIPTION	QTY
DDRBK	DEEP DRAWER BACK	2
DRBK	REGULAR DRAWER BACK	1
DSL	DRAWER SIDE LEFT	1
DSR	DRAWER SIDE RIGHT	1
DRBK #1	DRAWER HEAD BACK UPPER	1
DRB #2	DRAWER HEAD BACK MIDDLE	1
DRB #3	DRAWER HEAD BACK LOWER	1
DRF # 2&3	DRAWER HEAD FRONT	2
DRF	DRAWER HEAD FRONT	1

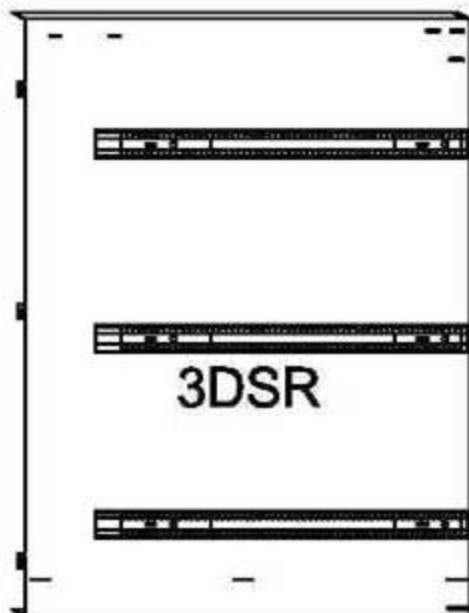
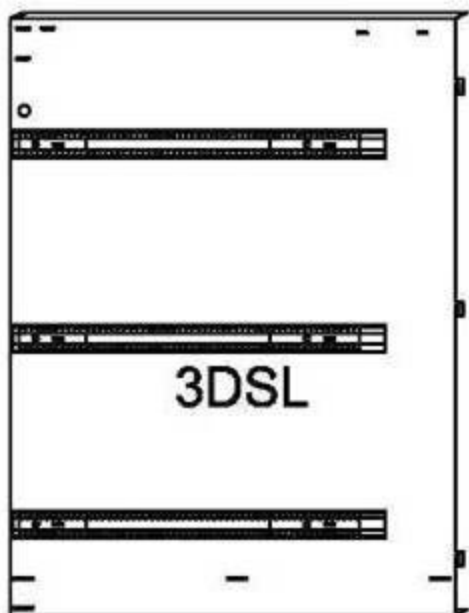


## 3 DRAWER BASE HARDWARE

	SLIDE	FLAT SCREW # 8 X 1/2	BUMPER	HANGING RAIL		
						
QUANTITY:	6	8	10	1		
	PAN SCREW # 8 X 1/2	LEG	TOE KICK	TOE KICK GUIDE	TOE KICK CLIP	CLIP GUIDE
						
QUANTITY:	18	2	1	2	2	2

3 DRAWER BASE SLIDE POSITION

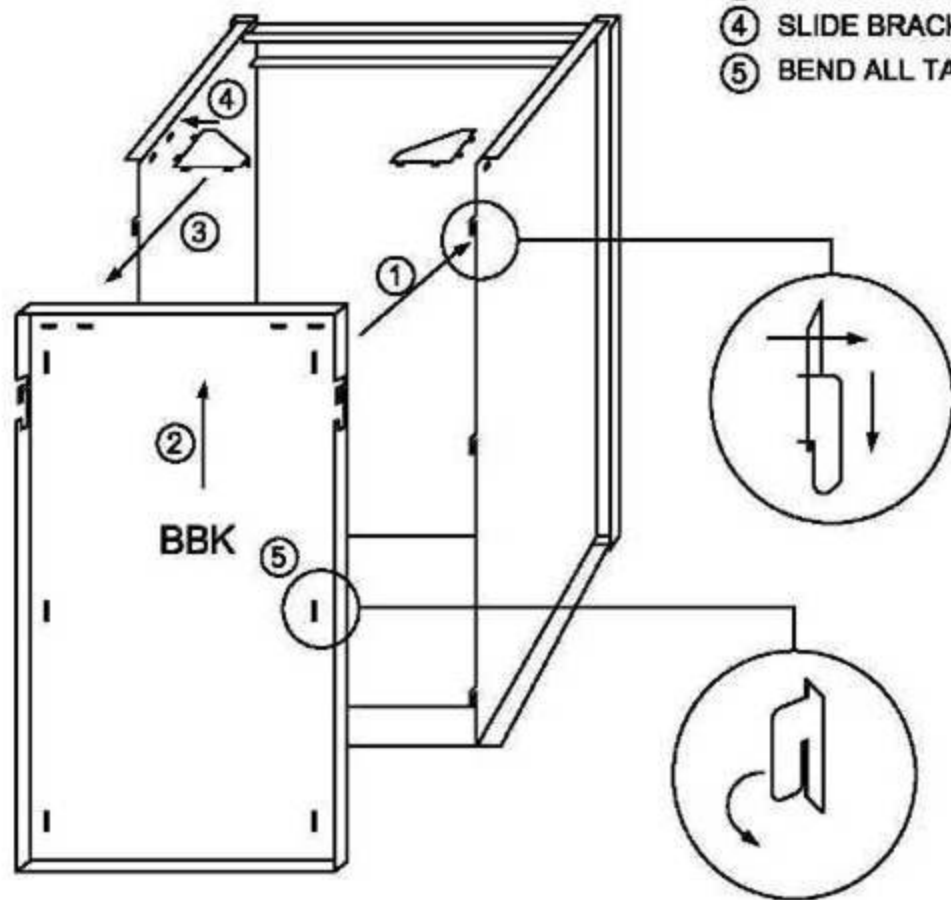
	QTY.	DESCRIPTION	
HARDWARE:	12	PAN SCREWS ( 8 X 1/2 )	
	6	SLIDES	

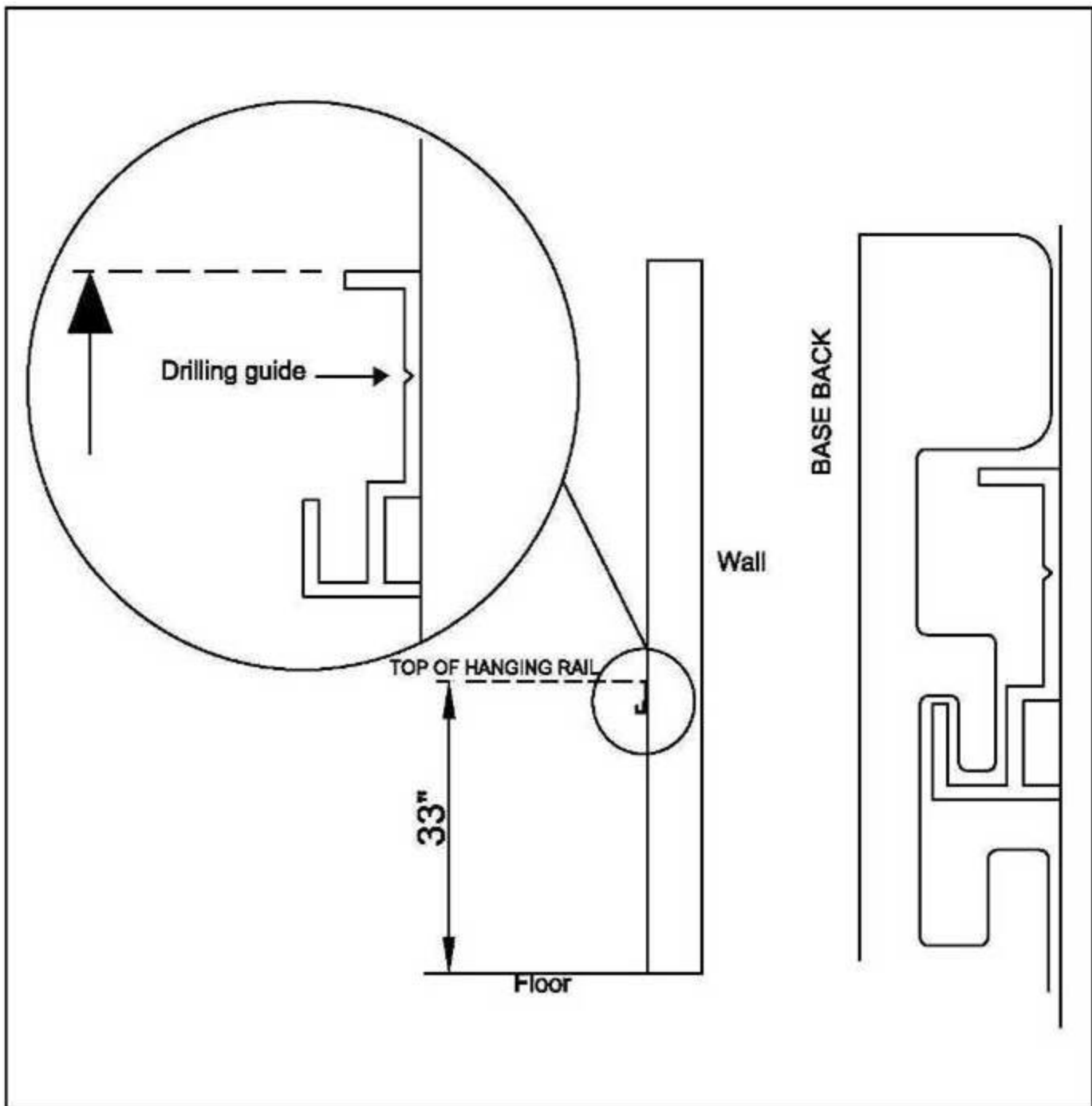


BRACKETS AND  
BACK MOUNTING


STEPS

- ① INSERT BACK
- ② SLIDE UP BACK PANEL
- ③ INSERT BRACKET
- ④ SLIDE BRACKET
- ⑤ BEND ALL TABS

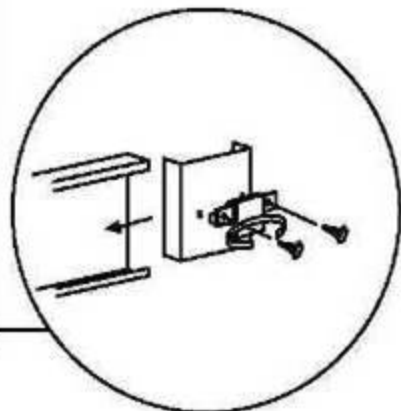
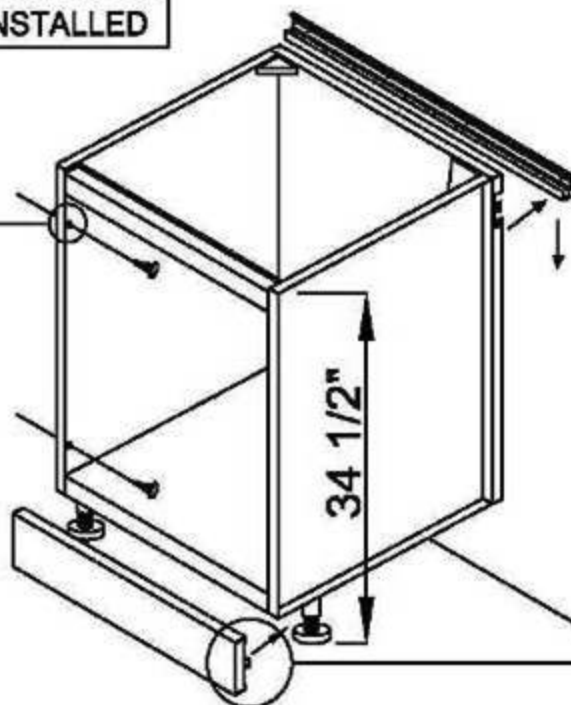




HANGING RAIL AND TOE KICK

HARDWARE	QTY.	DESCRIPTION
	2	.....TOE KICK CLIP
	2	.....CLIP GUIDE
	6	.....PAN SCREWS ( 8 X 1/2 ) 

ATTACH CABINETS  
AFTER INSTALLED



3 DRAWER BASE  
FRONTS MOUNTING

